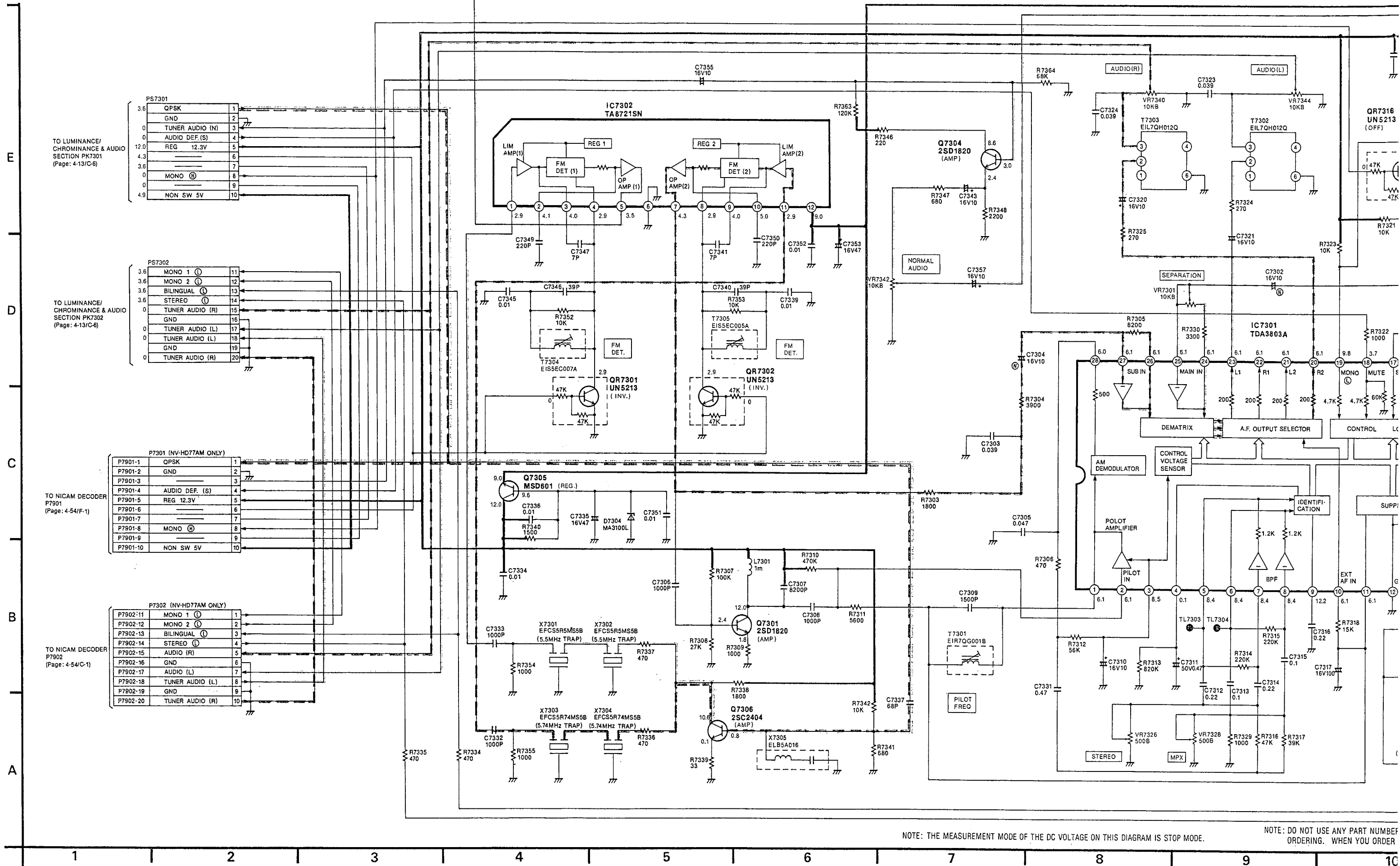


4-19. DECODER PACK SCHEMATIC DIAGRAM (NV-HD70AM, HD77AM)

AUDIO MAIN SIGNAL PATH

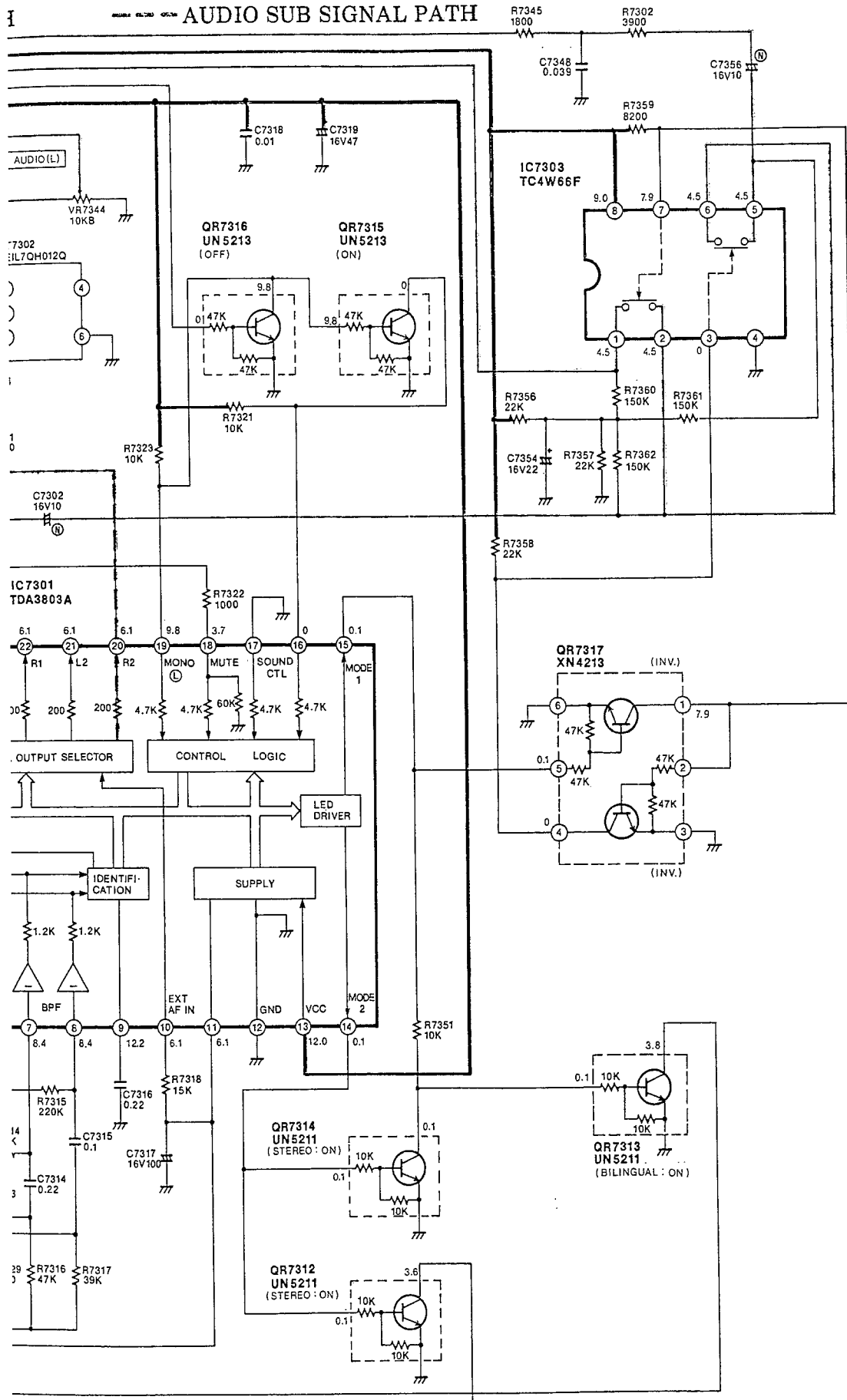
AUDIC



NOTE: THE MEASUREMENT MODE OF THE DC VOLTAGE ON THIS DIAGRAM IS STOP MODE.

NOTE: DO NOT USE ANY PART NUMBER ORDERING. WHEN YOU ORDER

AUDIO SUB SIGNAL PATH



NOTE: DO NOT USE ANY PART NUMBER SHOWN ON THIS SCHEMATIC DIAGRAM FOR ORDERING. WHEN YOU ORDER A PART, PLEASE REFER TO PARTS LIST.

C
B
A

